

IMPORTANT SAFEGUARDS

When using electrical appliances, basic safety precautions should always be followed to reduce the risk of fire, electric shock, and/or injury to persons, including the following:

1. Read all instructions before using the machine.
2. Do not touch hot surfaces. Use handles or knobs.
3. To protect against electric shock, do not immerse cord, plugs, or machine in water or other liquid.
4. Close supervision is necessary when any appliance is used by or near children.
5. Turn control switch to OFF and unplug from outlet when not in use and before cleaning. Allow to cool before putting on or taking off parts, and before cleaning.
6. Do not operate any appliance with a damaged cord or plug or after the appliance malfunctions, or has been damaged in any manner. Return this appliance only to the nearest authorized service center for repair.
7. Do not use outdoors.
8. Do not let cord hang over edge of table or counter, or touch hot surfaces.
9. Do not place this appliance on or near a hot gas or electric burner or in a heated oven.
10. To disconnect, turn any control to "off", then remove plug from wall outlet.
11. Do not use appliance for other than intended use.
12. Use on a hard, flat level surface only, to avoid interruption of air flow underneath the appliance.
13. **WARNING:** To reduce the risk of fire or electric shock, do not remove any service covers. No user serviceable parts inside. Repair should be done by authorized personnel only.
14. The use of accessory attachments not recommended by the appliance manufacturer may result in fire, electric shock or injury to persons.
15. If the supply cord is damaged, it must be replaced by the manufacturer or its service agent or a similar qualified person in order to avoid a hazard.
16. This appliance can be used by children aged from 8 years and above if they have been given supervision or instruction concerning use of the appliance in a safe way and if they understand the hazards involved. Cleaning and user maintenance shall not be made by children unless they are older than 8 and supervised. Keep the appliance and its cord out of reach of children aged less than 8 years.
17. Appliances can be used by persons with reduced physical, sensory or mental capabilities or lack of experience and knowledge if they have been given supervision or instruction concerning use of the appliance in a safe way and understand the hazards involved. Children shall not play with the appliance;
18. This appliance is intended to be used in household and similar applications .

PREPARING THE MACHINE FOR USE

Before using the machine for the first time, it is strongly recommended to rinse the water circuit:

- (a) Fill the tank and turn on the machine.
- (b) Place a large cup under the dispensing spout and press the button to dispense the water.
- (c) Repeat this operation until the equivalent of two large cup.
- (d) See section **5. FIRST USE OF THE PRODUCT** before brewing the first cup.

BREWING RECOMMENDATIONS

The water quality is vital to brew a good coffee, tea or herbal tea.

We recommend:

- Changing the water in the tank daily.
- Washing the tank regularly.

DAILY MAINTENANCE:

- Empty and wash the used capsule basket regularly.
- Discharge a cup of water from the machine in order to clean the internal tubes before making the first daily coffee.

IMPORTANT: When using ceramic cups, it is recommended to pre-heat the cup with hot water in order not to cool the coffee, tea or herbal tea too quickly.

1. INTRODUCTION

Thanks to its exclusive patents and capsule system is able to offer the best brew each time regardless if you are brewing coffee, tea or herbal tea.

The use of the machine with other capsules can lead to breakdowns and is not covered by the warranty.



Please read this manual carefully before using.

COMPLIANCE DECLARATION

The manufacturer declares under its own responsibility that this instruction manual is intended for this machine. It complies with the EC Directive governing appliances for domestic use. Furthermore, the manufacturer declares that the machine is manufactured in conformity with the law, and it complies with the regulations for the limitation of radio-electric disturbance.

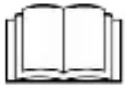
Due to new industrial rules, safety standards, sales or aesthetic reasons the actual product may slightly differ from the information and pictures represented in this instruction manual.

INFORMATION ON REGULATIONS

The appliances described in this Instruction book are in compliance with the Directive 93/68/CEE and 2006/95/CE and with Directives 2004/108/CE and 1963/68/CE.

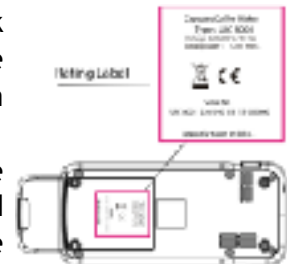


2. GENERAL WARNINGS



Read these instructions carefully as they contain important information about safe installation, use and maintenance. Store this manual in a safe place for future reference.

- After removing the packaging, check the integrity of the product and its accessories.
- The sleeve and the plug of the power cable must be free of cracks or breaks. If you encounter the above, do not use the appliance and contact Customer Service.
- The packing elements (plastic bags, polystyrene) must not be left within reach of children, as they are potential sources of danger.
- Before connecting the appliance to the main electric source check that the information given on the rating plate corresponds to those of the power grid in use. The rating plate is located on the bottom of the appliance body.
- In cases of incompatibility between the plug of the machine and the socket, replace the socket with another suitable type by a qualified professional electrician. In particular, it must ensure that the section of the wires is capable of supporting the power absorbed by the machine. In general it is not advisable to use adapters, multiple sockets and / or extensions. If it is necessary, only use single or multiple adapters and extensions wiring which comply with current safety standards, making sure that the limit of the power consumption corresponds to that indicated on the rating plate on the bottom of the machine.

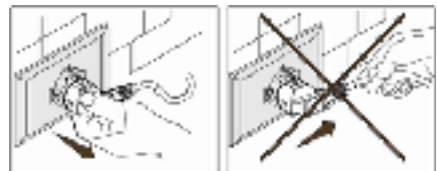


The appliance must be powered by means of a differential circuit breaker with an operating current of no more than 30 mA.

The appliance must only be connected to an electrical system with a ground wire.



Avoid unplugging the appliance by pulling on the electrical cord.



While operating the machine the electrical socket must be easily accessible in case it should be necessary to unplug the appliance.

THIS DEVICE SHOULD NOT BE USED BY CHILDREN. IT SHOULD NOT BE USED BY PERSONS WITH REDUCED PHYSICAL, SENSORY AND MENTAL ABILITY OR WITHOUT SUPERVISION OR INSTRUCTION BY A PERSON RESPONSIBLE FOR THEIR SAFETY.



CHILDREN SHOULD NOT PLAY WITH THE MACHINE.

•The use of any electrical appliance requires the observance of certain fundamental rules:

- Do not use the appliance with bare or wet feet.
- Do not pull the power cable to unplug the machine from the main outlet.
- Do not leave the machine exposed to atmospheric elements (rain, sun etc.).
- Do not allow the machine to be used by children or disabled persons without supervision.
- Before performing any cleaning or maintenance operation, disconnect the appliance from the main power supply. For any repairs, contact only authorised personnel that use original spare parts. Failure to do this may compromise the safety of the device and void the warranty.
- If you should decide to dispose of the machine, it is recommended to make it inoperative. After disconnecting the plug from the mains power source, cut the electric cord. It is also recommended rendering harmless all those parts of the machine that could be dangerous for children.



The installation must be performed according to the manufacturer's instructions. Incorrect installation may cause damage to persons, animals or property in respect of which the manufacturer cannot be held responsible. It will also void the warranty.

- To avoid overheating, fully extend the electrical power cord for its entire length.
- Do not leave the appliance plugged in. Disconnect the plug from the main power source when the machine is not in use.
- Do not block the ventilation openings of the machine.
- If the power cord is damaged, have it replaced immediately by a qualified electrician.

IMPORTANT WARNINGS REGARDING THE CORRECT USE OF THE APPLIANCE.



This appliance has been designed to brew coffee, tea and herbal tea exclusively through the use of FAP and NE capsules. Any other use is considered improper and potentially dangerous. The manufacturer cannot be held responsible for any damage caused by improper, incorrect or unreasonable use. Such use will also result in voiding the warranty.

THIS APPLIANCE IS FOR HOME USE ONLY

- Place the unit on a level, smooth and stable surface.
- Do not leave the appliance unattended during operation.
- DO NOT USE OR STORE THE EQUIPMENT IN AN ENVIRONMENT WITH A TEMPERATURE OFF 0° - C OR COLDER.
- If you leave the device inactive for a long period, empty the water tank first.
- Due to the fact that all the components of the machine are new, it may give off an unpleasant smell the first time it is used; this is completely normal.
- DO NOT USE THE MACHINE WITHOUT THE LID, THE TANK OR WATER IN THE TANK.
- Do not move the machine when it is in use.



During the brewing of beverages, avoid contact with the hot liquid. Do not touch the hot parts of the machine during or after use in order to avoid the risk of scalding.

RECOMMENDATIONS

Should there be problems with the appliance, contact the Customer Service .

Do not attempt to repair the appliance on your own.

Any malfunction due to repair or service performed by non-authorized persons or by improper use of the machine is not covered by the warranty and will void the warranty.

The manufacturer will not be held responsible in this event.

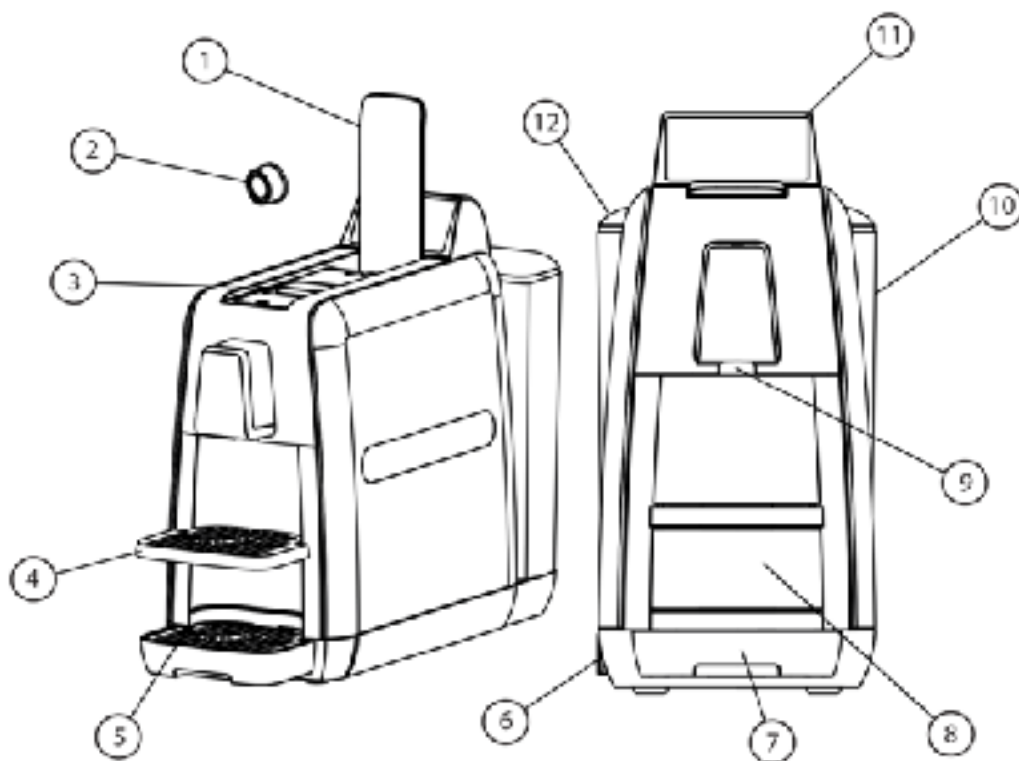
3. WARRANTY.

The warranty does not cover repairs relating to:

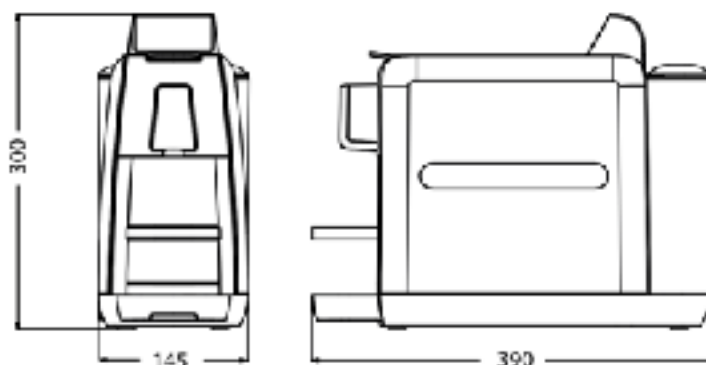
- Breakdowns caused by scale or failure to carry out scale removal cycles.
- Breakdowns caused by use at a voltage other than that stated on the rating plate.
- Breakdowns caused by improper use or by failure to follow instructions provided in this user manual.
- Breakdowns caused by tampering with the machine.

Manufacturer will not be responsible for the cost of repairs performed by non-authorized service centres or persons .

4. PRODUCT DESCRIPTION



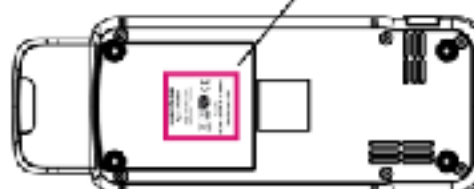
Coffee Maker Dimensions



LEGEND :

1. Handle
2. Capsule
3. Insertion capsule point
4. Grid for Espresso cap
5. Grid for Lungo cap
6. Main switch
7. Drip tray
8. Used capsules basket
9. Spout

Rating Label



5. FIRST USE OF THE MACHINE

With the machine it is possible to pre-heat and rinse the brewing chamber. Pre-heating is recommended when the machine is turned ON for the first time each day. Pre-heating the machine allows the dispensation of hot water in ceramic or glass cups in order to maintain the hot temperature of coffee or tea once brewed. Pre-heating and rinsing the brewing chamber is recommended when switching from one product to another; for example, when you make a tea or herbal tea and then switch to an espresso or a coffee capsule.

CLEAN A MACHINE

Please follow these simple steps:

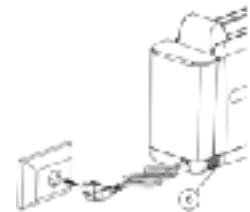
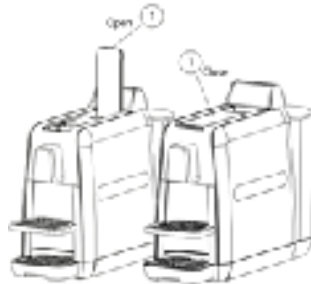
Open the tank lid (12) and fill with clean water without exceeding the maximum level .

NEVER USE THE MACHINE WITHOUT WATER IN THE TANK (10).

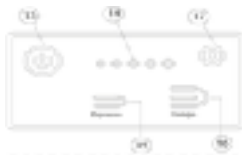
Connect the machine to the power supply.

Turn on the machine by placing the switch (6) in the "I" position.

Close the lever (1) .



The button START (13) come RED to indicate that the machine is connected.

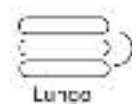


Push a START (13) button they change in Green color.

The machine has reached optimum temperature when the 5 lights (14) are fix and in green color the machine it is ready to brewing .



With the lever (1) down, without a capsule, place a large cup on the cup holder (5), press the LUNGO brew button (16) to draw the water from the tank and to clean all the internal circuits of the machine. (It is recommended to remove the equivalent of two cup of water with this process). This operation will create a metallic noise the first time it is performed. The noise will stop when the circuit is filled with water. The machine stop automatically when



arrive at 125 ml.

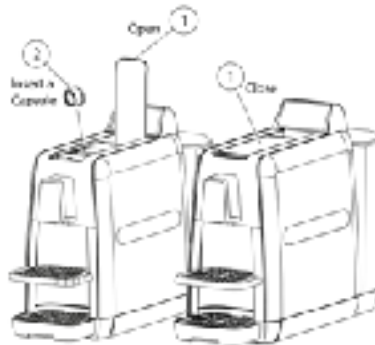
To stop dispensing water before the automatically stop, press the button (16) again.



IT IS RECOMMENDED TO PERFORM THIS CYCLE IF THE MACHINE IS NOT USED FOR A LONGER PERIOD OF TIME.

BREWING COFFEE

When the cycle is completed, lift the lever (1) and insert a capsule (2) in the insertion caps point (3) Close the lever (1)



Adjust the cup tray to the desired position (adjust the distance between the cup and the brewing spout):

Low position: Big cup (Lungo)

High position: Small cup (Espresso)

Start brewing by pressing the button of touch screen version:

- Espresso (15) if you want short coffee
- Lungo (16) if you want a long coffee



Important: The Machine stop automatically when arrive:

- For Espresso 40 ml
- For Lungo 125 ml.

If you want stop a brewing before that the machine stop automatically press again the button. The machine stop brewing immediately.

Important: The Machine is equipped with an energy saving mode.



If light (17) is flashing, this indicates that the Machine has entered the energy saving mode. The machine will enter energy saving mode 10 minutes after its last use. To return the machine to its brewing mode, push button (START 13).



For consecutive brewing cycles:

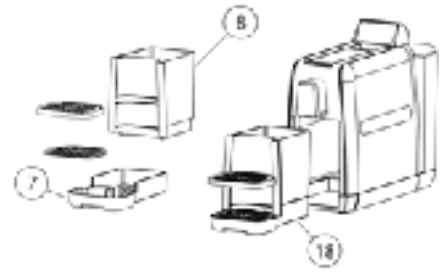
When the lever (1) is lifted, the system will automatically eject any used capsule. Insert a new capsule and proceed with a new brewing cycle.

Important: When you switch from one type of flavour to another one, you should always do a rinse cycle without a capsule in order to clean the supply circuit.

CLEAN USED CAPSULES BASKET

The used capsules basket (8) is removable; empty it when full.

- Pull out the basket group (18).
- Empty and wash the basket for used capsules (8) daily.
- Empty and wash the water tank (7).



It is recommended to always check the level of used capsules.
(Max. 20 caps)

Under the used capsule basket there is a drip tray container that collects drain water (7). When emptying the used capsule basket, (8) it is also recommended to wash the drip tray container.

Do not put these parts in the dishwasher.

PRIOR TO CLEANING, ALWAYS DISCONNECT THE PLUG FROM THE WALL OUTLET.



NEVER PLACE THE MACHINE IN WATER.

Descaling cycle

The frequency of descaling of the machine varies according to the degree of hardness of the water used. It is in any case suggested to carry out the descaling of the machine at least once every 6-8 months in order to keep the machine in good condition and to give it a longer life.

Verify that there is no capsule inserted in the machine by opening the lever (11) and pulling out any previously inserted capsule. Close the lever (11) without adding a new capsule. Empty the water tank (2) and insert a dose of liquid descaling solution specifically for use in coffee machines (make sure it is for food use).

Place a large cup on the cup tray (6) and turn the machine on. When the machine is ready, brew 2-3 cups of water consecutively.

To remove any remaining descaling solution after the descaling cycle, remove the water tank (2) and wash it with

clean water. Fill the tank (2) and perform a wash cycle with clean water. This will clean all the internal circuits from

the residues of the descaling solution.

6. DISPOSAL OF THE APPLIANCE

- This product is compliant with Directive 2002/96/EC and 2003/108/EC.
- The crossed-bin symbol shown on the rating plate indicates that the product should be disposed of separately from household waste, must be brought to a collection point for electrical waste or otherwise follow your local waste removal regulations or authorities directions.
- You are responsible for delivering your machine to an official collection point; never leave it in inappropriate places.
- Before disposing of the machine, make it unusable by cutting the power cord.
- For more detailed information regarding the collection systems available, contact your local waste disposal service.



The manufacturer reserves the right to make changes to this machine due to new industrial rules, safety standards, sales or aesthetic reasons in respect to the information, the picture and the drawings represented on this Instruction for use.